

FEATURES & ADVANTAGES

- Noryl Impeller
- Casing Plastic thermoplastic (30% Polyphenylene)
- Easy Installing, Handling & Maintenance

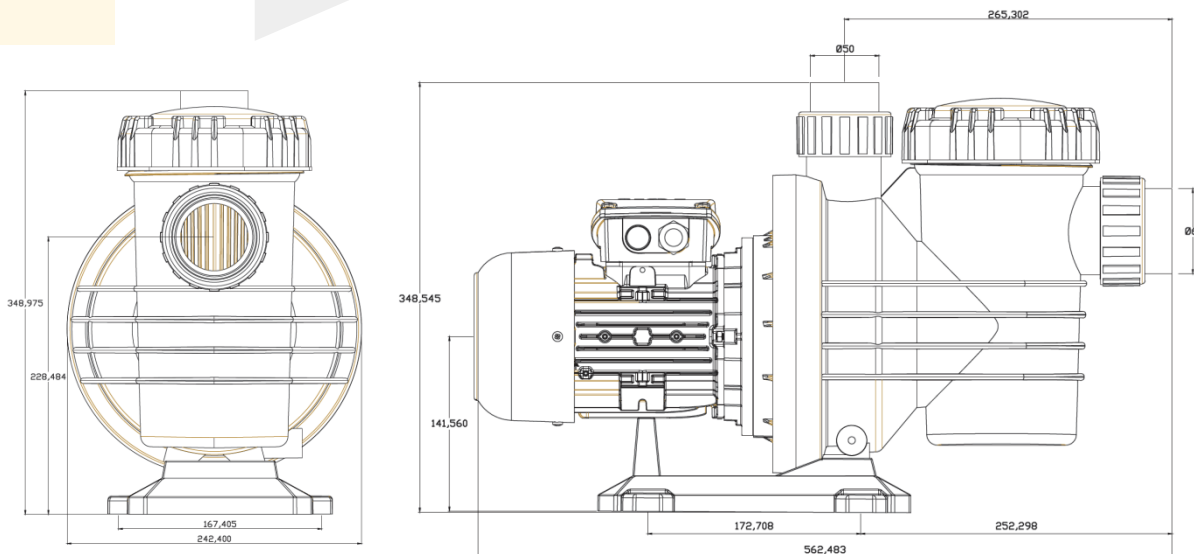


Thermal protector: single phase
Insulation: F
Protection: IP55

Working Conditions

- Medium temperature: 5-50°C
- Environmental temperature: ≤50°C
- Max.working pressure: 0.3 MPa

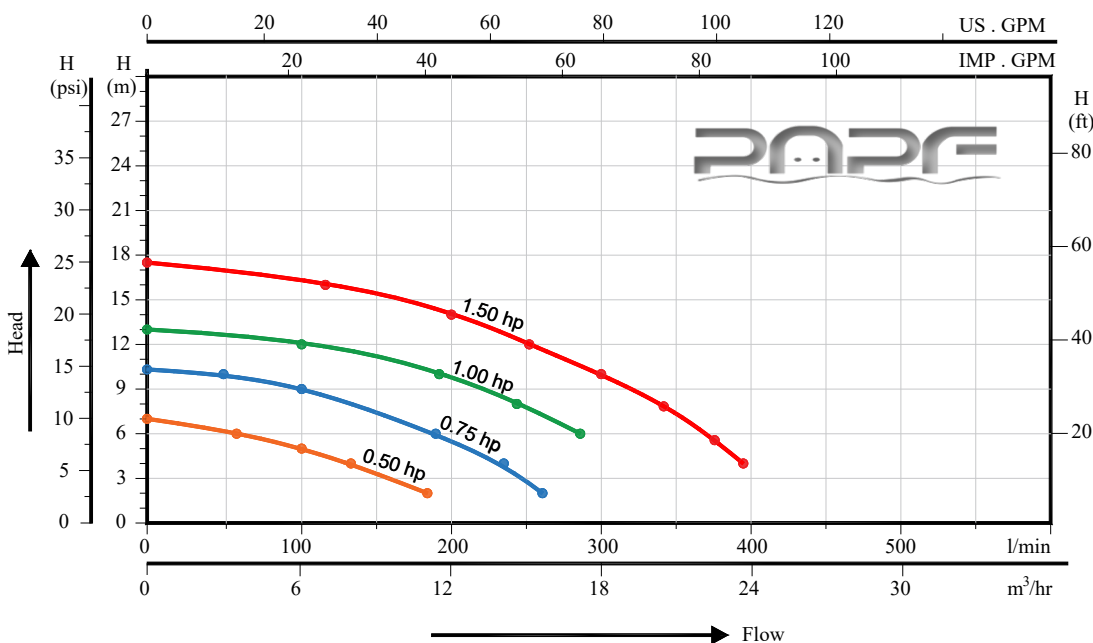
Dimensions



Specifications

Single phase Pumps with Pre-Filter				Head								
Code	Description	Kg/Pcs	Size	2	4	6	8	10	12	14	16	18
				Flow m ³ /hr								
PAWTA001	0,50 HP Single phase Pump with Pre-Filter (1.5 Amp)	19,30	0,32 x 0,66 x 0,44	11.00	8.00	3.50						
PAWTA002	0.75 HP Single phase Pump with Pre-Filter (2.5Amp)	20,40	0,32 x 0,66 x 0,44	15.50	14.00	11.25	8.50	3.00				
PAWTA003	1,00 HP Single phase Pump with Pre-Filter (4.0 Amp)	20,40	0,32 x 0,66 x 0,44		19.50	17.00	14.50	11.50	6.00			
PAWTA004	1,50 HP Single phase Pump with Pre-Filter (5.2 Amp)	23,10	0,32 x 0,66 x 0,44		23.50	22.25	20.25	18.00	15.00	12.00	7.00	

Performance curve



FEATURES & ADVANTAGES

- Noryl Impeller
- Casing Plastic thermoplastic (30% Polyphenylene)
- Easy Installing, Handling & Maintenance



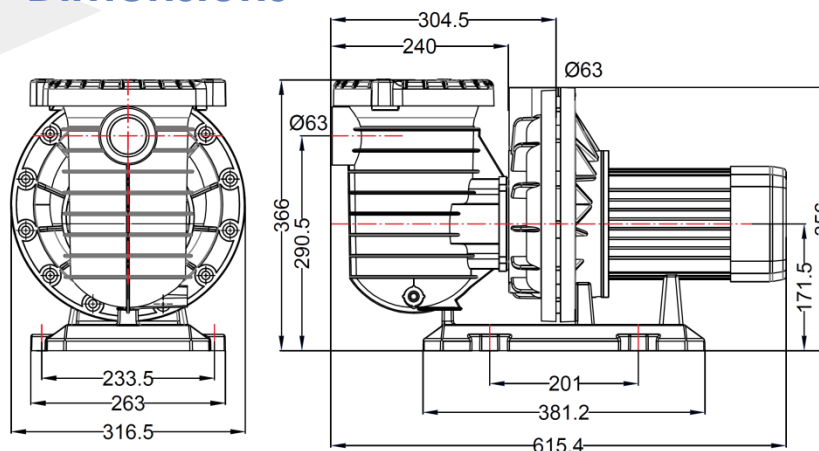
50 HZ
2850 RPM
IP 55

Thermal protector: single phase
Insulation: F
Protection: IP55

Working Conditions

- Medium temperature: 5-50°C
- Environmental temperature: ≤50°C
- Max. working pressure: 0.3 MPa

Dimensions

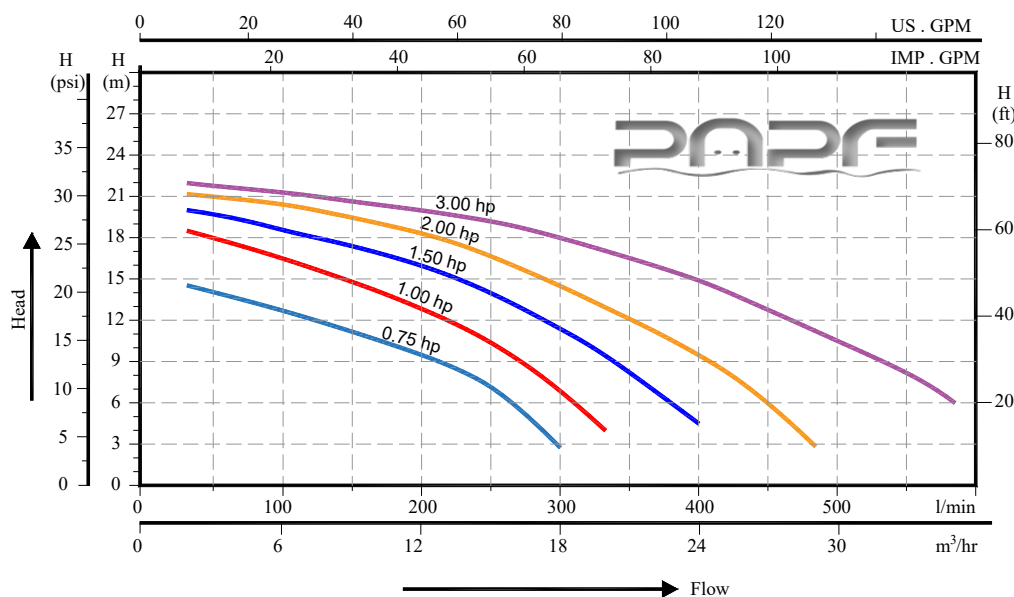


Specifications

Single Thermoplastic Pump With Pre-Filter				Head								
Code	Description	Kg/Pcs	Size	6	8	10	12	14	16	18	20	22
				Flow m ³ /hr								
IKAIKA001 (4.3 Amp)	0,75 HP Single phase Pump with Pre-Filter	19,30	0,32x0,66x0,44	16	15	11	7	4	1.5			
IKAIKA002 (5.2 Amp)	1,00 HP Single phase Pump with Pre-Filter	20,40	0,32x0,66x0,44	19	17.5	16	14	12	10	6		
IKAIKA003 (7.8 Amp)	1,50 HP Single phase Pump with Pre-Filter	23,10	0,32x0,66x0,44	23	21.5	20	18	16	14	10		
IKAIKA004 (9.8 Amp)	2,00 HP Single phase Pump with Pre-Filter	25,70	0,32x0,66x0,44	27	25	23.5	21	19	17	14	10	3
IKAIKA005 (14.0 Amp)	3,00 HP Single phase Pump with Pre-Filter	26,90	0,32x0,66x0,44	35	33	31	28	26	23	17	14	5

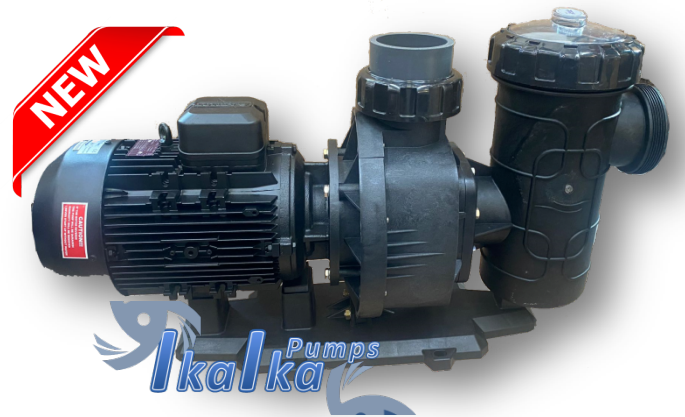
Three phase Thermoplastic Pump With Pre-Filter				Head								
Code	Description	Kg/Pcs	Size	6	8	10	12	14	16	18	20	22
				Flow m ³ /hr								
IKAIKA006 (2.6 Amp)	1.00 HP Three phase Pump with Pre-Filter	21,00	0,32x0,66x0,44	19	17.5	16	14	12	10	6		
IKAIKA007 (4.3 Amp)	1,50 HP Three phase Pump with Pre-Filter	23,60	0,32x0,66x0,44	23	21.5	20	18	16	14	10		
IKAIKA008 (5.5 Amp)	2,00 HP Three phase Pump with Pre-Filter	26,50	0,32x0,66x0,44	27	25	23.5	21	19	17	14	10	3
IKAIKA009 (7.8 Amp)	3,00 HP Three phase Pump with Pre-Filter	27,00	0,32x0,66x0,44	35	33	31	28	26	23	17	14	5

Performance curve



FEATURES & ADVANTAGES

- Noryl Impeller
- Casing Thermoplastic 30% PP
- Easy Installing, Handling & Maintenance



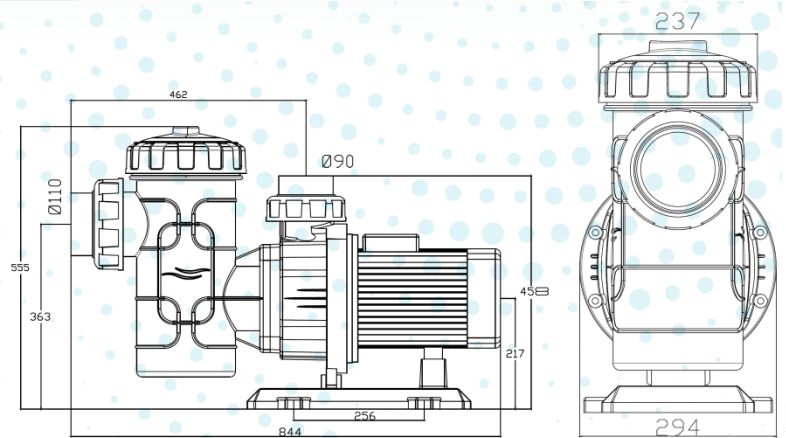
50 HZ
2850 RPM
IP 55

Thermal protector: single phase
Insulation: F
Protection: IP55

Working Conditions

- Medium temperature: 5-50°C
- Environmental temperature: ≤50°C
- Max.working pressure: 0.3 MPa

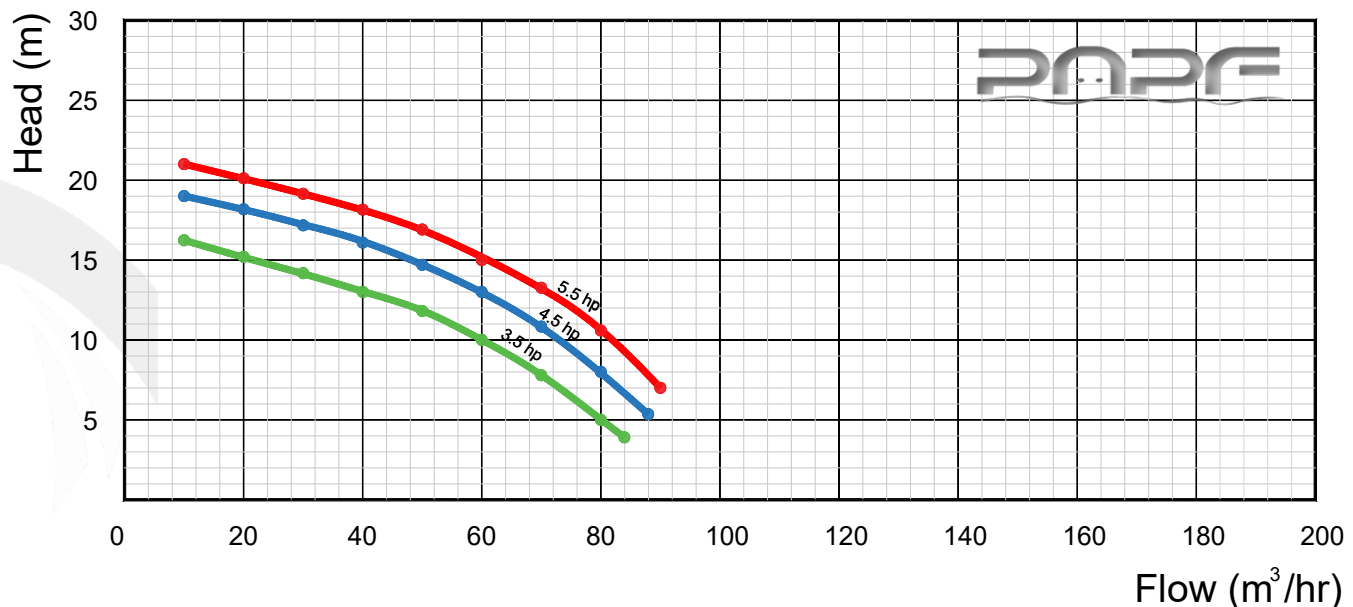
Dimensions



Specifications

STORM MODEL				Head								
Code	Description	Kg/Pcs	Size	6	8	10	12	14	16	18	20	22
				Flow m ³ /hr								
IKAIKA015	3.5 HP Three phase Pump with Pre-Filter (6.1 Amp)	33.75	0.38x0.80x0.60	77	70	61	51	33	15			
IKAIKA016	4.5 HP Three phase Pump with Pre-Filter (8.2 Amp)	41.2	0.38x0.80x0.60	86	80	74	66	54	42	21		
IKAIKA017	5.5 HP Three phase Pump with Pre-Filter (8.2 Amp)	41.5	0.38x0.80x0.60	94	88	81	75	66	56	42	20	4

Performance curve



FEATURES & ADVANTAGES

- Bronze Impeller
- Casing Plastic thermoplastic (30% Polyphenylene)
- Easy Installing, Handling & Maintenance



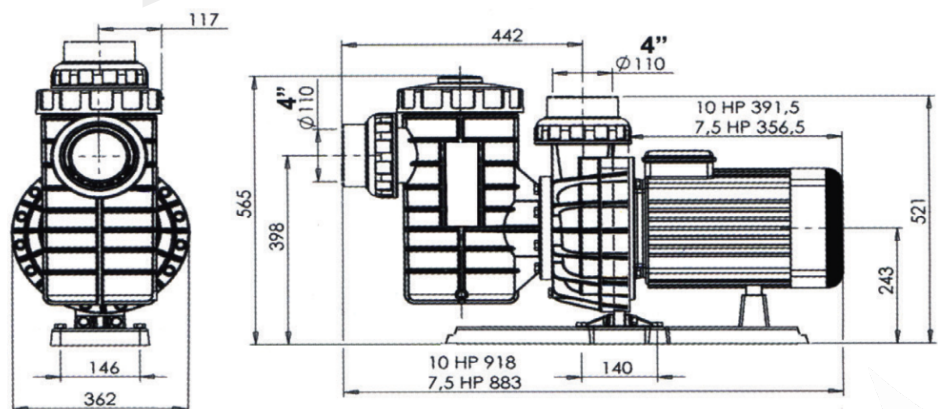
50 HZ
2850 RPM
IP 55

Thermal protector: single phase
Insulation: F
Protection: IP55

Working Conditions

- Medium temperature: 5-50°C
- Environmental temperature: ≤50°C
- Max.working pressure: 0.3 MPa

Dimensions



Specifications

STORM MODEL				Head										
Code	Description	Kg/Pcs	Size	6	8	10	12	14	16	18	20	22	24	26
				Flow m ³ /hr										
IKAIKA021 (10.4 Amp)	7.50 HP Three phase Pump with Pre-Filter	79	0.46x0.97x0.67	138	130	122	110	92	80	60	32			
IKAIKA022 (13.5 Amp)	10.5 HP Three phase Pump with Pre-Filter	86	0.46x0.97x0.67		144	138	130	122	108	100	82	60	32	
IKAIKA063 (20.0 Amp)	12.5 HP Three phase Pump with Pre-Filter	85	0.46x0.97x0.67	166	160	152	145	130	130	120	110	90	64	40
IKAIKA064 (20.0 Amp)	15 HP Three phase Pump with Pre-Filter	87	0.46x0.97x0.67		180	172	162	150	144	130	124	112	92	70

Performance curve

